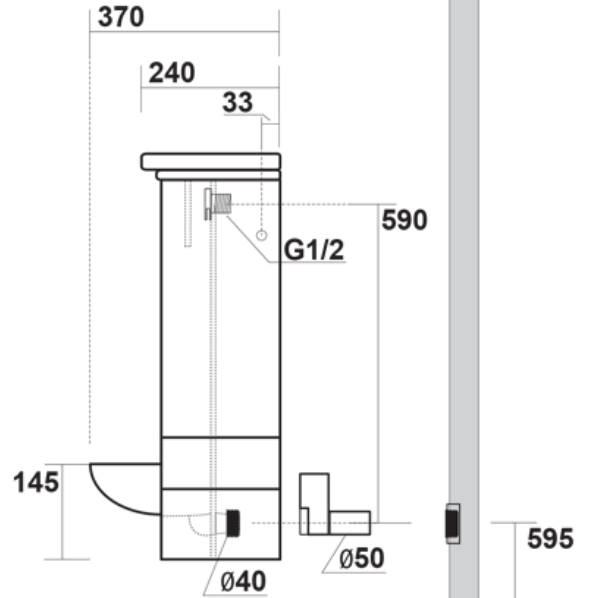
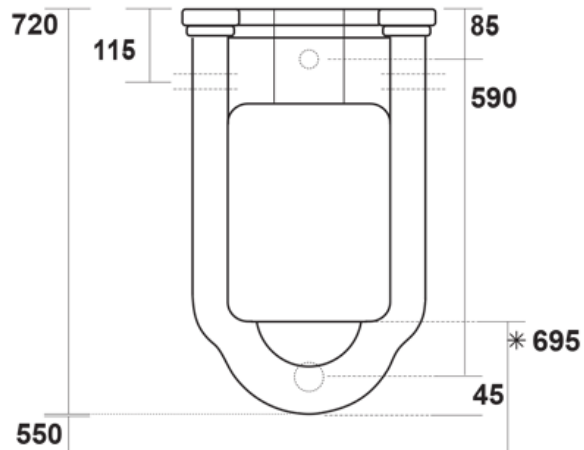
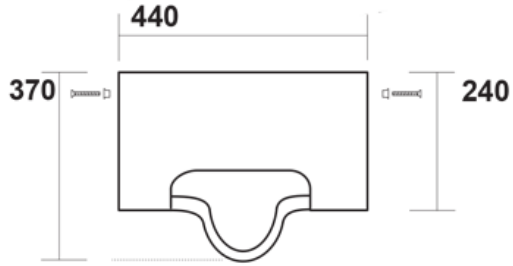


# WD4130

## URINOIR WALDORF



\* quota consigliata  
measures recommended