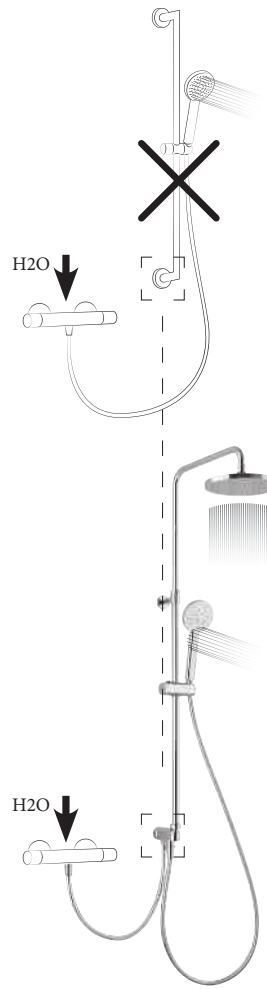
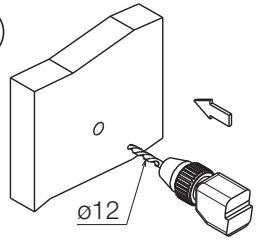


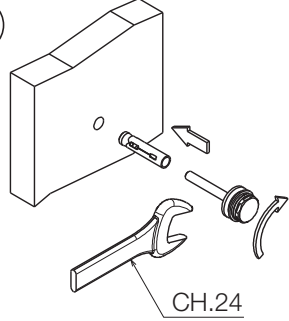
A



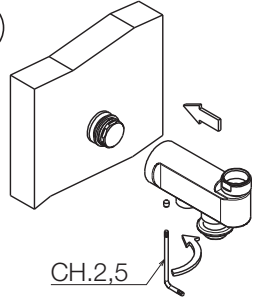
1



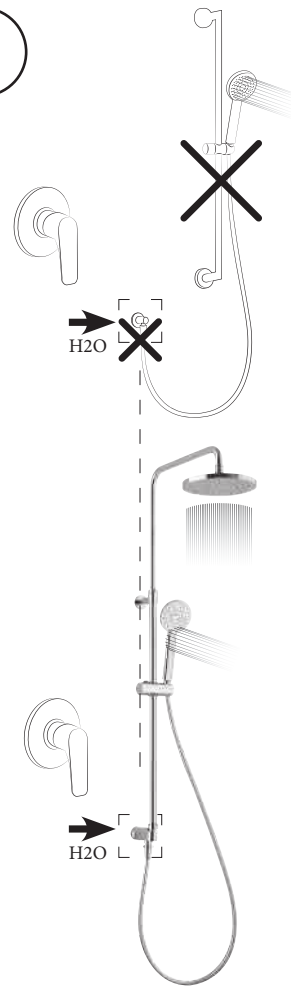
2



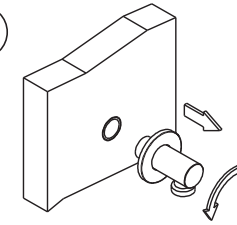
3



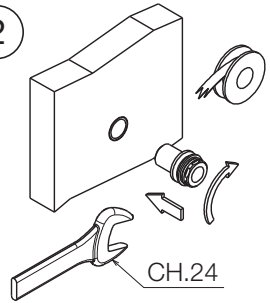
B



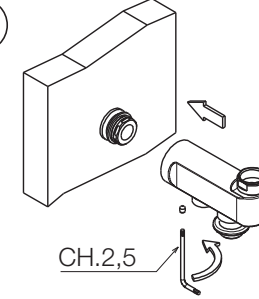
1



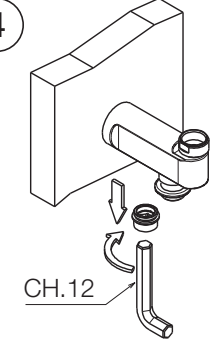
2



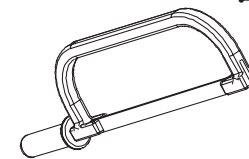
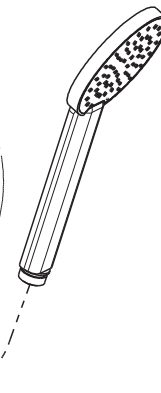
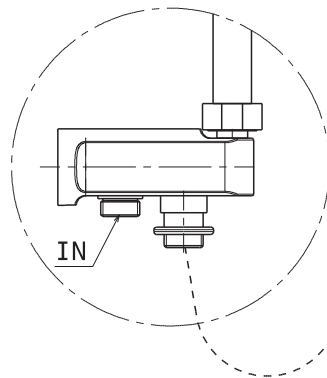
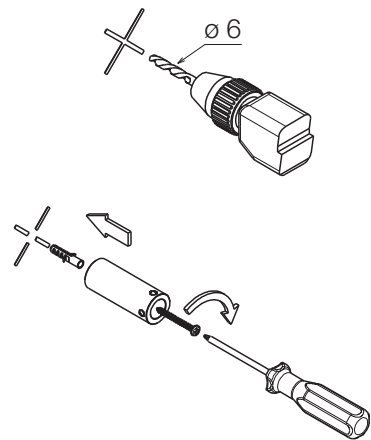
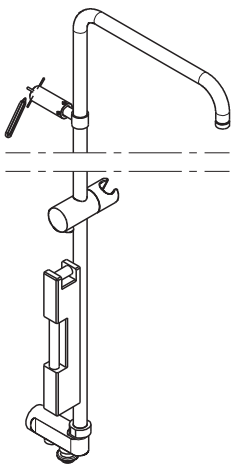
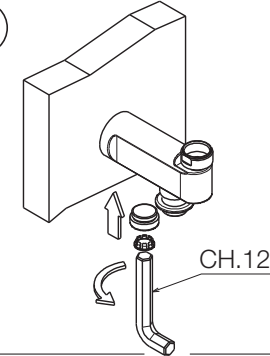
3



4



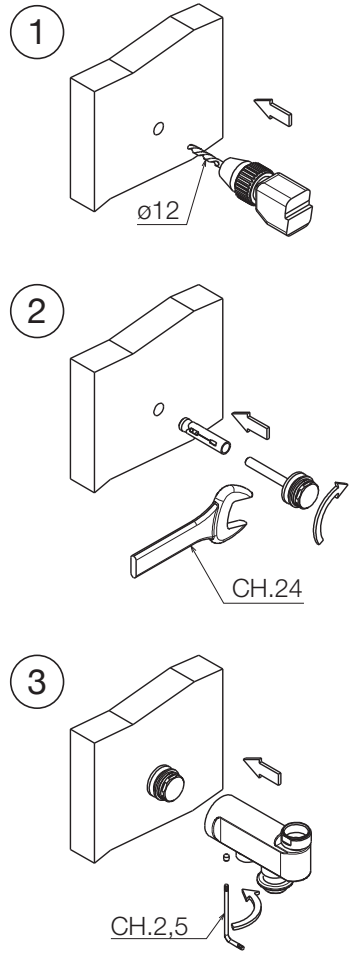
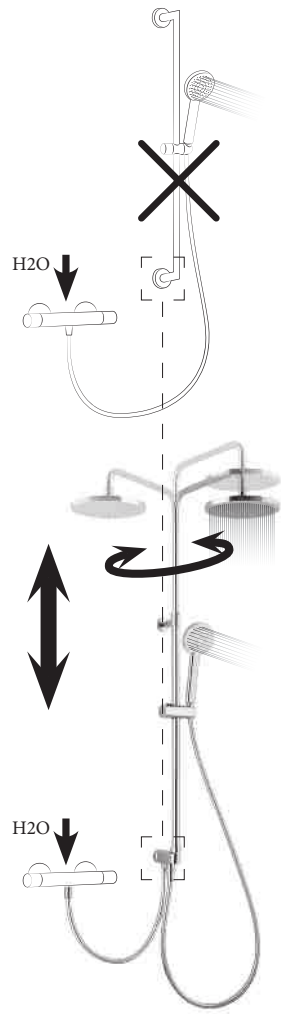
5



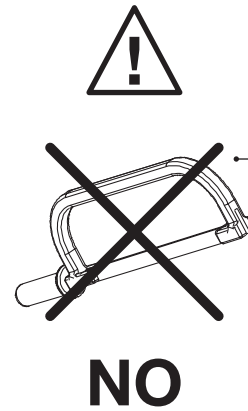
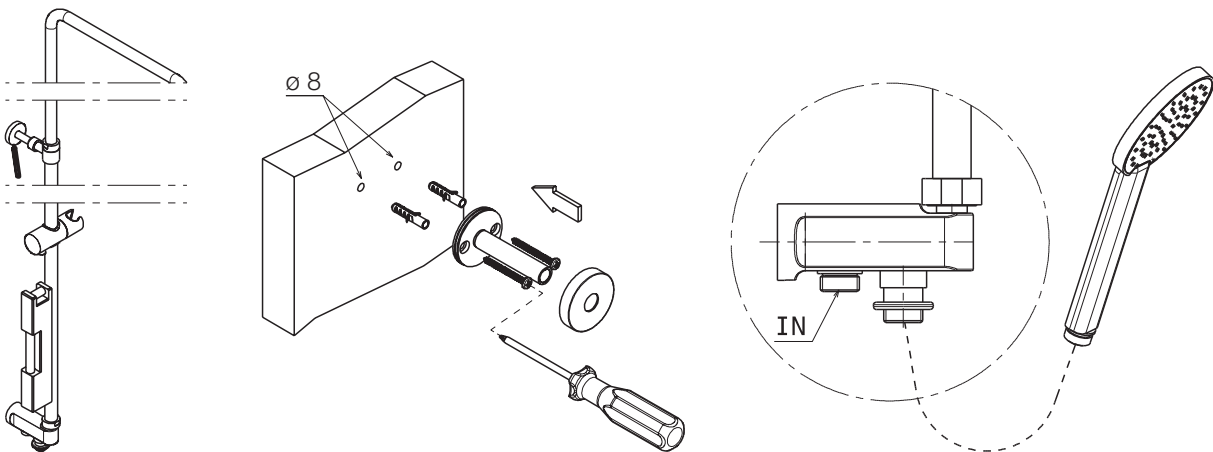
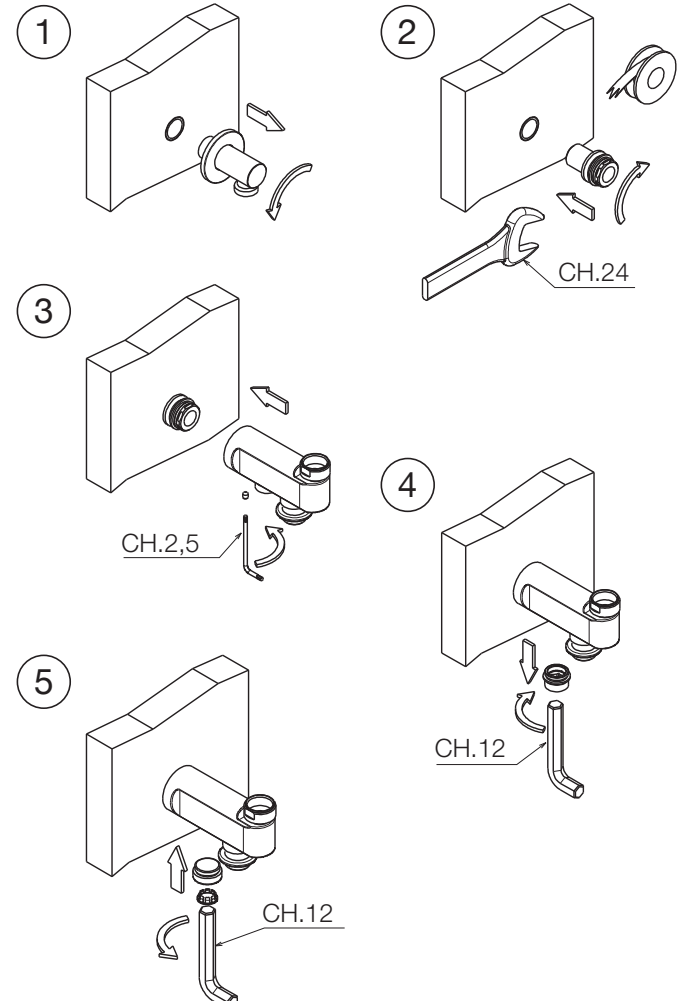
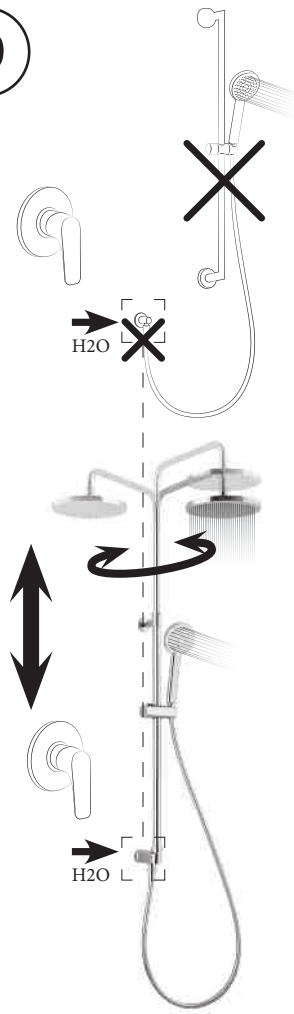
YES

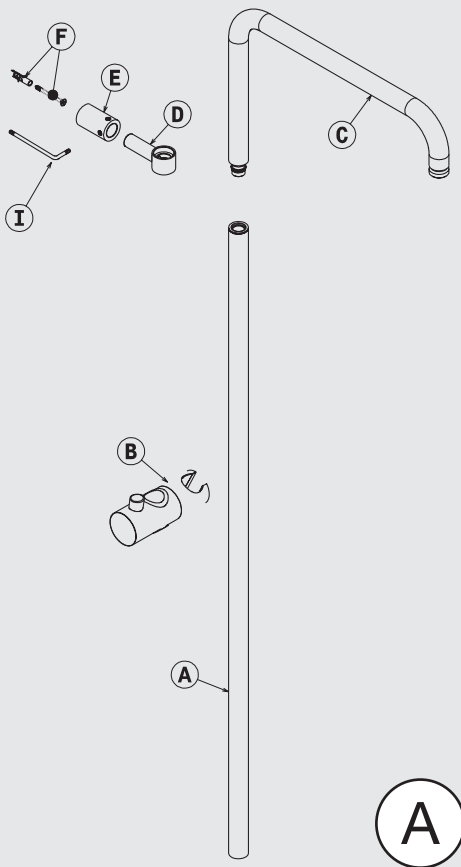


C

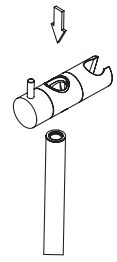


D

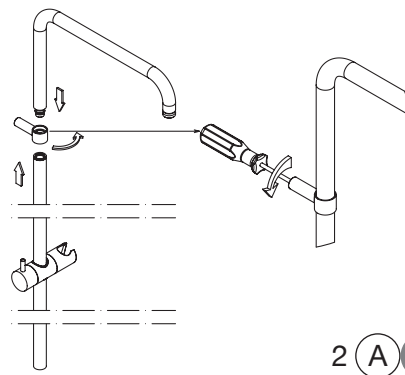




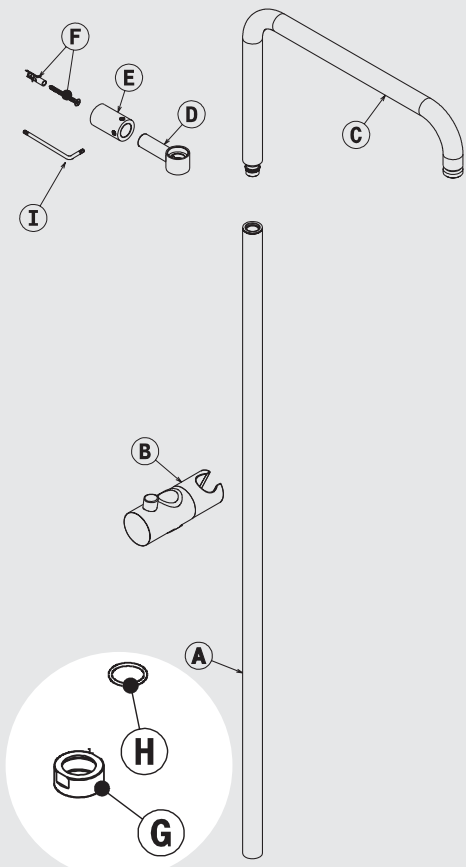
A



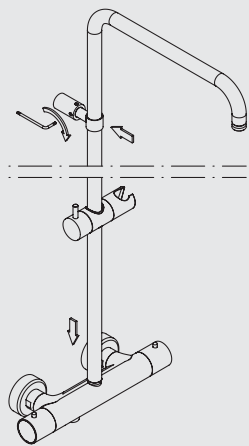
1 A B



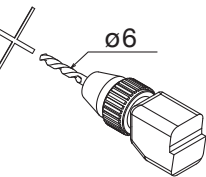
2 A B



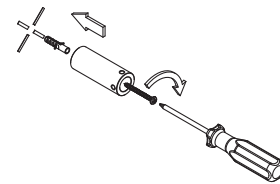
B



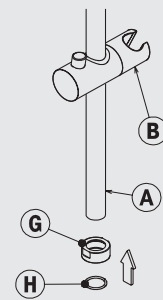
7 A



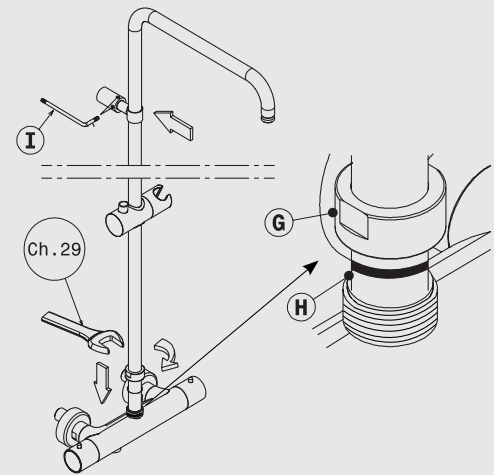
5 A B



6 A B



7 B



8 B