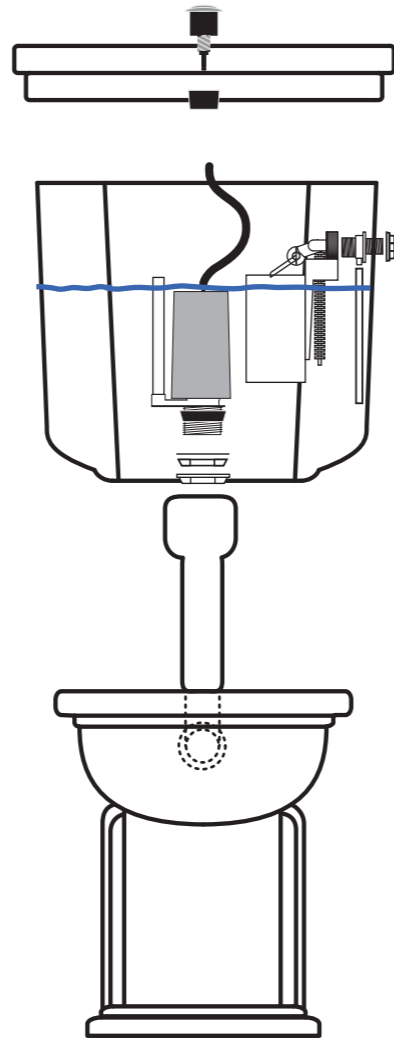
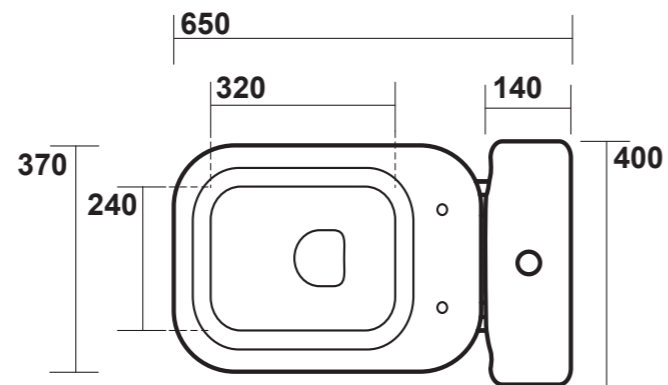
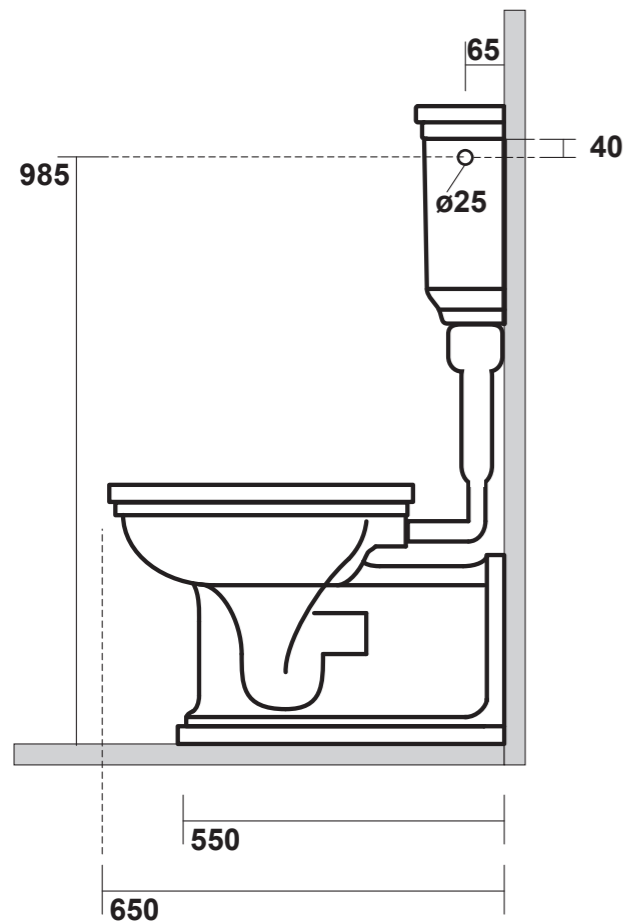
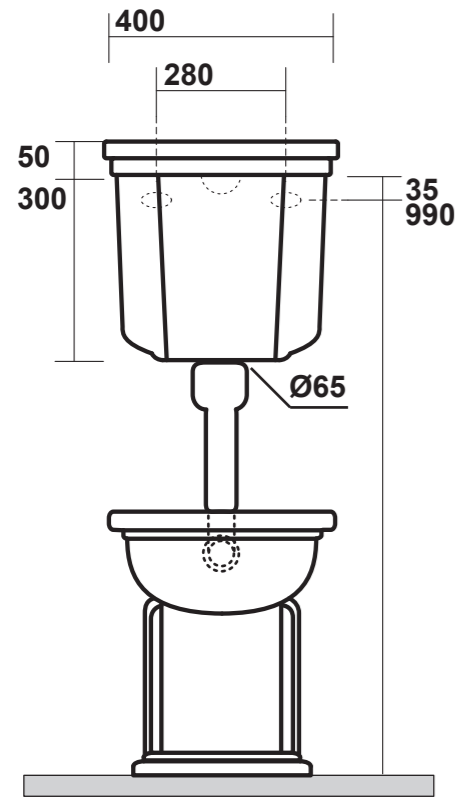
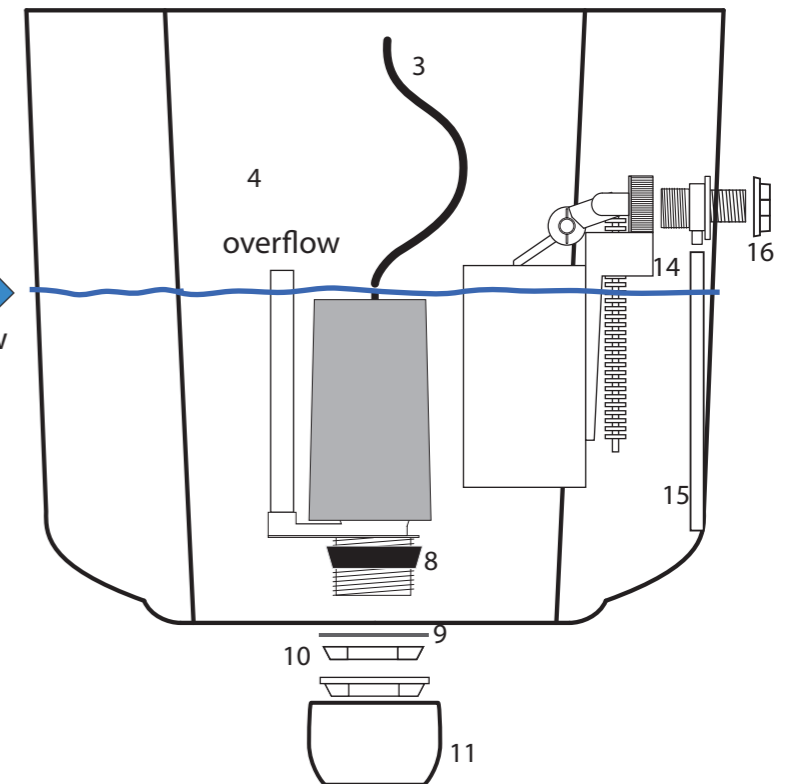
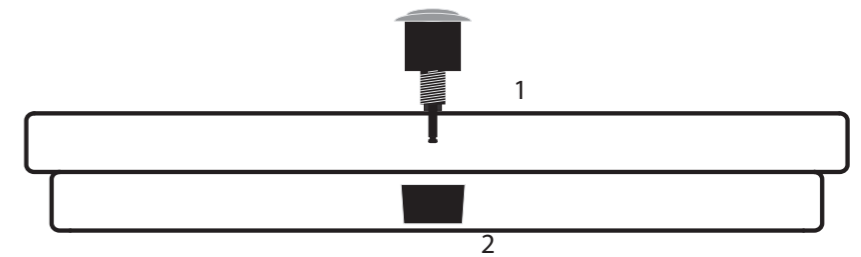


# KERASAN

*Waldorf* ART. 4182 + 4116 + 751390+ 750490



- 1 toilet flush button
- 2 button fixing
- 3 bowl refill tube
- 4 overflow tube
- 5 locking plastic ring
- 6 flapper or seat ball
- 7 flush valve seat
- 8 cone rubber gasket
- 9 metal flat gasket
- 10 locking ring to the battery drain water
- 11 cover metal
- 12 float ball
- 13 threaded ring
- 14 little cover plate
- 15 gasket for tap aerator
- 16 locking ring



The water level , inside the cistern , is adjustable by the float ( 12 ) and should not exceed the overflow. Otherwise the water comes out before the float stops the flow.